



MADE TO MEASURE CURTAIN POLES

PRODUCT INFORMATION

Our new made to measure curtain pole collection is designed and manufactured in Suffolk, UK. The range is made from high quality steel and includes a number of different final styles and finishes from which to choose, and in a wide selection of lengths.

All you need to do is choose your style and finish, select the size just above your required length, and the product will be cut down to your exact dimensions. If you have a bay window, there is an app that you can download (see below), to help you measure your bay.

The finished product comes with all the necessary fittings and will be shipped directly to you so that the product is ready to fit on delivery.

PRODUCT SPECIFICATION

- o Material – steel. We use mild steel which is a robust material with excellent malleability
- o Bracket projection (from back of the bracket to the centre of the pole diameter) – 100mm
- o Bracket construction – all brackets are built to carry all weights of curtain, and provide a robust fixing to the wall
- o Rings are standard (O) or passing (C) dependant on pole length and are always supplied in even numbers
- o Finial dimensions – see diagrams below. Remember to allow for the finials in your overall pole length ordered
- o Parts included in each order by size – see chart below
- o Finish – all our poles are powder coated, which gives a high-quality finish
- o Standard curtain headings – these headings work with all lengths and would include pencil pleat, pinch pleat and goblet pleat
- o Eyelet headings – these are restricted to a maximum length of 4m as they will not pass over passing brackets

The exact contents of your order will depend on the size selected. Poles are cut to your exact requirements and prices are per 0.5m metre of pole so, for example, if you order a pole 275cm in length, you will be charged for the 300cm size.



MADE TO MEASURE CURTAIN POLES

PRODUCT INFORMATION

PARTS INCLUDED

CURTAIN STYLE	FINIAL STYLE	SIZE	POLE	POLE JOINER	FINALS	SIDE BRACKET	CENTRE BRACKET	PASSING BRACKET	STANDARD RING	PASSING RINGS	BEND FOR BAYS	FITTINGS*
Traditional Headings	Stud, Disc or Ball	up to 1.0m Straight Pole	Cut to your size		2	2	-	-	10	-	-	1
Traditional Headings	Stud, Disc or Ball	up to 1.5m Straight Pole	Cut to your size	-	2	2	-	-	16	-	-	1
Traditional Headings	Stud, Disc or Ball	up to 2.0m Straight Pole	Cut to your size	1	2	2	1	-	20	-	-	1
Traditional Headings	Stud, Disc or Ball	up to 2.5m Straight Pole	Cut to your size	1	2	2	1	-	26	-	-	1
Traditional Headings	Stud, Disc or Ball	up to 3.0m Straight pole	Cut to your size	1	2	2	1	-	30	-	-	1
Traditional Headings	Stud, Disc or Ball	up to 3.5m Straight Pole	Cut to your size	1	2	2	1	-	36	-	-	1
Traditional Headings	Stud, Disc or Ball	up to 4.0m Straight Pole	Cut to your size	1	2	2	1	2	-	40	-	1
Traditional Headings	Stud, Disc or Ball	up to 4.5m Straight Pole	Cut to your size	1	2	2	1	2	-	46	-	1
Traditional Headings	Stud, Disc or Ball	up to 5.0m Straight Pole	Cut to your size	1	2	2	1	2	-	50	-	1
Traditional Headings	Stud, Disc or Ball	up to 5.0m 2x Bend Bay Pole	Cut and bent to your size	1	2	2	1	2	-	50	2	1
Traditional Headings	Stud, Disc or Ball	up to 5.0m 4x Bend Bay Pole	Cut and bent to your size	1	2	2	1	2	-	50	4	1
Eyelet Headings	Disc or Ball	up to 1.0m Straight Pole	Cut to your size	-	2	2	-	-	-	-	-	1
Eyelet Headings	Disc or Ball	up to 1.5m Straight Pole	Cut to your size	-	2	2	-	-	-	-	-	1
Eyelet Headings	Disc or Ball	up to 2.0m Straight Pole	Cut to your size	1	2	2	1	-	-	-	-	1
Eyelet Headings	Disc or Ball	up to 2.5m Straight Pole	Cut to your size	1	2	2	1	-	-	-	-	1
Eyelet Headings	Disc or Ball	up to 3.0m Straight pole	Cut to your size	1	2	2	1	-	-	-	-	1
Eyelet Headings	Disc or Ball	up to 3.5m Straight Pole	Cut to your size	1	2	2	1	-	-	-	-	1
Eyelet Headings	Disc or Ball	up to 4.0m Straight Pole	Cut to your size	1	2	2	1	-	-	-	-	1

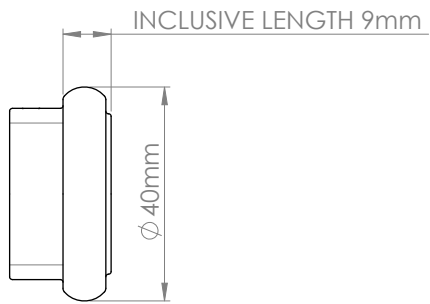
* N.B Fitting packs include sufficient plugs and screws for each bracket, plus an allen key for securing finial grub screw



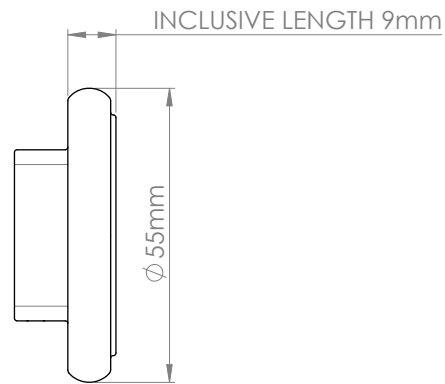
MADE TO MEASURE CURTAIN POLES

PRODUCT INFORMATION

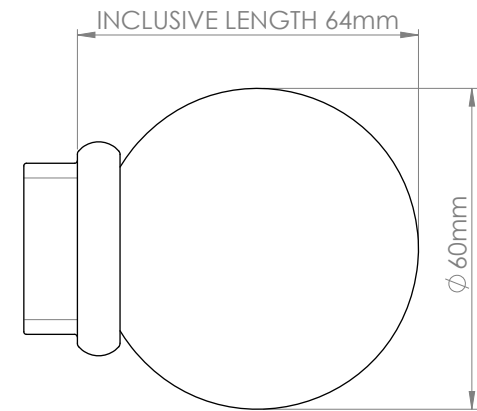
FINIALS



Stud



Disc



Ball